

This document provides installation instructions for mounting the LS-BT1 location beacon in an indoor environment using the LS-BT1-MNT-50 accessory kit.

The LS-BT1 location beacon is referred to as *device* in rest of the document.

### Package Contents

- 50 sets of mounting bracket and adhesive pad (one set per device)
- Installation guide (this document, printed)

### Installing the Device using the Adhesive Pad

This mounting option allow mounting the device on a flat surface using an adhesive pad.

#### Required Tools and Equipment

The following tools and equipment are required for installing the device:

- An adhesive pad (included in the package)

#### Prerequisites

Before installing the device, ensure that the following surfaces are clean and dust-free.

- the mounting surface
- the grooves for adhesive pads on the bottom of the device

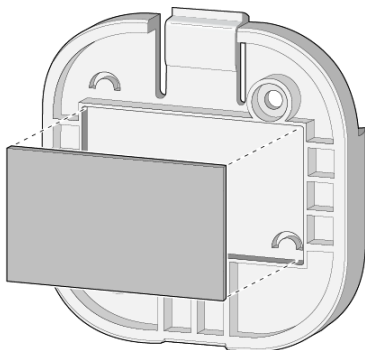
It is recommended to clean these surfaces using a solvent with 50/50 isopropyl alcohol/ water mixture.

#### Installation Steps

To install the device using an adhesive pad:

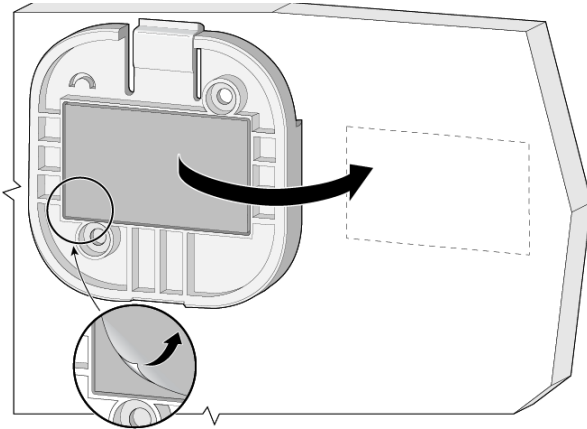
1. Attach the adhesive pad on the grooved area on the back of the mounting bracket, as shown in [Figure 1](#).

**Figure 1** Attaching the Adhesive Pad to the Mounting Bracket



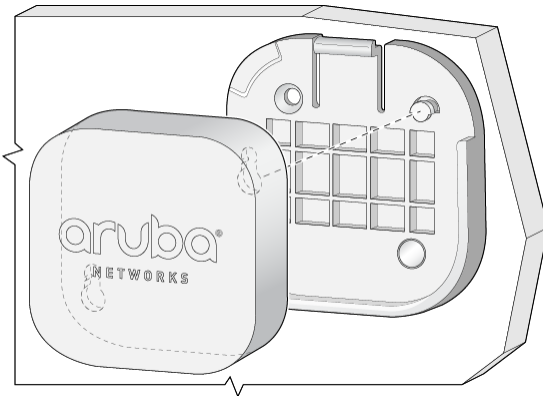
2. Remove the protective film on the adhesive, attach the mounting bracket on the surface in the upright position, as shown in [Figure 2](#).

**Figure 2** *Removing the Protective Film*



3. Align the keyhole slots on the device with the projections on the mounting bracket, as shown in [Figure 3](#).

**Figure 3** *Aligning the Device with the Bracket*



4. Slide the device down until the clip of the mounting bracket snaps onto the top of the device, as shown in [Figure 4](#).

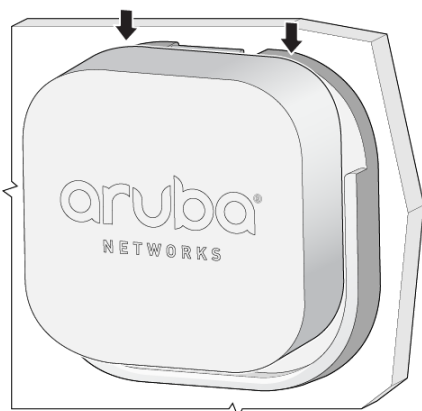


---

Ensure that the device is activated before attaching it on the mounting bracket.

---

**Figure 4** *Attaching the Device on the Mounting Bracket*



## Installing the Device using Screws

This mounting option allows mounting the device on a flat surface using screws.

### Required Tools and Equipment

The following tools and equipment are required for installing the device:

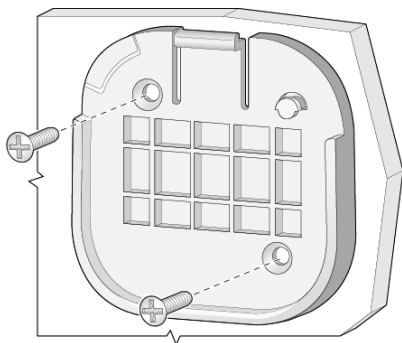
- One mounting bracket
- Two M3 flat head screws (not included in the package)
- Suitable screwdriver (not included in the package)

### Installation Steps

To install the device using screws:

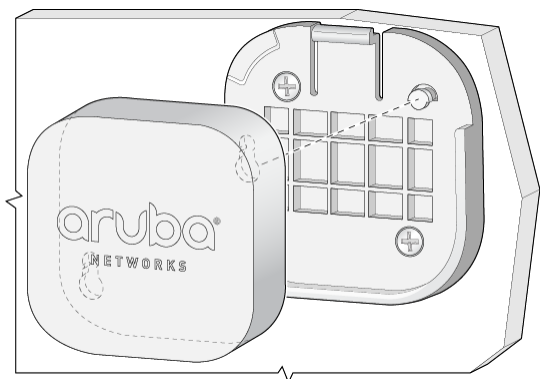
1. Choose a flat surface for the mounting bracket.
2. Secure the mounting bracket in the upright position on the surface using two M3 flat head screws, as shown in [Figure 5](#).

**Figure 5** *Securing the Mounting Bracket on a Flat Surface*



3. Align the keyhole slots on the device with the projections on the mounting bracket, as shown in [Figure 6](#).

**Figure 6** *Aligning the Device with the Mounting Bracket*



4. Slide the device down until the clip of the mounting bracket snaps onto the top of the device, as shown in [Figure 4](#).



---

Ensure that the device is activated before attaching it on the mounting bracket.

---

## Contacting Support

**Table 1** *Contact Information*

Main Site	<a href="http://arubanetworks.com">arubanetworks.com</a>
Support Site	<a href="http://support.arubanetworks.com">support.arubanetworks.com</a>
Airheads Social Forums and Knowledge Base	<a href="http://community.arubanetworks.com">community.arubanetworks.com</a>
North American Telephone	1-800-943-4526 (Toll Free) 1-408-754-1200
International Telephones	<a href="http://www.arubanetworks.com/support-services/support-program/contact-support">http://www.arubanetworks.com/support-services/support-program/contact-support</a>
Software Licensing Site	<a href="http://licensing.arubanetworks.com">licensing.arubanetworks.com</a>
End of Support information	<a href="http://www.arubanetworks.com/support-services/end-of-life-products/end-of-life-policy/">http://www.arubanetworks.com/support-services/end-of-life-products/end-of-life-policy/</a>
Security Incident Response Team (SIRT)	<a href="http://www.arubanetworks.com/support-services/security-bulletins/">http://www.arubanetworks.com/support-services/security-bulletins/</a>
<b>Support Email Addresses</b>	
Americas, APAC, and EMEA	<a href="mailto:support@arubanetworks.com">support@arubanetworks.com</a>
Security Incident Response Team (SIRT)	<a href="mailto:sirt@arubanetworks.com">sirt@arubanetworks.com</a>

© 2014 Aruba Networks, Inc. All rights reserved.



[www.arubanetworks.com](http://www.arubanetworks.com)

1344 Crossman Avenue  
Sunnyvale, California 94089

Phone: 408.227.4500  
Fax 408.227.4550